

产品执行标准 Production enforce standard

设计与制造 Desing And Manufacture	结构长度 Face to face/ End to end	法兰尺寸 Flange Dimension	对焊连接尺寸 Butt welding dimension	压力~温度 Pressure Temperature Lating	试验~检验 Inspection and test
API60	ANSI B16.10	ANSI B16.5	ANSI B16.25	ANSI B16.34	API598

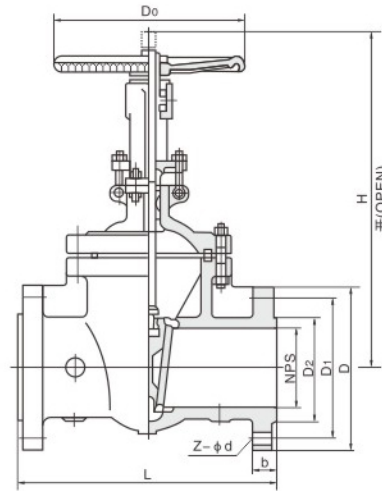
产品性能规范 Chief property and specification

公称压力(Lb) Nominal Pressore	强度试验Shell test		水密封试验Water seal test		气密封试验Air seal test	
	MPa	Lbf/in ²	MPa	Lbf/in ²	MPa	Lbf/in ²
150	3.1	450	2.2	315	0.5~0.7	60~100
300	7.8	1125	5.6	815		
600	15.3	2225	11.2	1630		
900	23.1	3350	16.8	2440		
1500	38.4	5575	28.1	4080		
2500	64.6	9367	47.4	6873		

主要零件材料及性能 Main part materials and property

体、盖、瓣 Body Cover disc	阀杆 Stem	密封面 Sealing Face	垫片(环) Sealing shim	填料 Packing	工作温度(°C) Working temperature	适用介质 Suitable medium
WCB	2Cr13	13Cr STL 本体材料 With bodymater rial PTFE 尼龙 Nylon	增强柔性石墨 13Cr/柔性石墨 Enhanced Flexible 1Cr13/Flexible graphite SFB-2 08软钢 08Soft steel F304 F316 F304L F316L	柔性石墨 增强柔性石墨 Flesible graphite enhanced flexible graphite SFB/260 SFP/260 PTFE	≤425	水、蒸汽、油品 Water Steam Petroleum Products
WC1	38CrMoAl 25Cr2Mov				≤450	
WC6					≤540	
WC9					≤570	
C5 C-12					≤540	
CF8	F304				≤600	硝酸、醋酸、尿素 Nitric acid Aceic acid
CF3	F316					
CF8M	F304L					
CF3M	F316L					

Class-150Lb~600Lb



主要外形和连接尺寸 Main External and Connection Dimension

单位Unit:mm

规格 in	通径 DN	单位 Unit	L	H(全开) OPEN	D	D1	D2	b	Z-φd	D0
150Lb										
2	50	in	7.00	16.10	6.00	4.75	3.62	0.75	4-0.75	8.00
		mm	178	409	152	120.5	92	19.1	4-19	200
3	80	in	8.00	20.00	7.50	6.00	5.00	0.94	4-0.75	10.00
		mm	203	570	90	152.5	127	23.9	4-19	250
4	100	in	9.00	23.20	9.00	7.50	6.19	0.94	8-0.75	10.00
		mm	229	590	229	190.5	157	23.9	8-19	250
6	150	in	10.50	24.80	11.00	9.50	8.50	1.00	8-0.88	12.00
		mm	267	630	279	241.5	216	25.4	8-22	300
8	200	in	11.50	37.80	13.50	11.75	10.62	1.21	8-0.88	3.88
		mm	292	960	343	298.5	270	28.5	8-22	350
10	250	in	13.00	45.60	16.00	14.25	12.75	1.19	12-1.00	15.70
		mm	330	1158	406	362	324	30.2	12-25	400
12	300	in	14.00	54.30	19.00	17.00	15.00	1.25	12-1.00	17.70
		mm	356	1378	483	432	381	31.8	12-25	450
14	350	in	15.00	60.75	21.00	18.75	16.25	1.38	12-1.12	19.70
		mm	381	1543	533	476.5	413	35	12-29	50
16	400	in	16.00	68.40	23.50	21.25	18.50	1.44	16-1.12	23.6
		mm	406	1738	597	539.5	470	36.6	16-29	600
18	450	in	17.00	74.10	25.00	22.75	21.00	1.56	16-1.25	23.60
		mm	432	1959	635	578	533	39.7	16-32	600
20	500	in	18.00	87.20	27.50	25.00	23.00	1.69	20-1.25	26.80
		mm	457	2214	698	635	584	42.9	20-32	680
24	600	in	20.00	102.3	32.00	29.50	27.25	1.88	20-1.38	29.90
		mm	508	2599	813	749.5	692	47.7	20-35	760
30	750	in	24.00	125.3	38.75	36.00	33.75	2.94	28-1.38	36.00
		mm	610	3183	985	914	857	74.5	28-35	915
36	900	in	28.00	147.00	46.00	42.75	40.25	3.56	32-1.62	36.00
		mm	711	3737	1170	1086	1022	90.5	32.41	915

Class-150Lb~600Lb

主要外形和连接尺寸 Main External and Connection Dimension										单位Unit:mm
规格 in	通径 DN	单位 Unit	L	H(全开) OPEN	D	D1	D2	b	Z-Φd	D0
300Lb										
2	50	in	8.50	16.70	6.5	5.00	3.62	0.88	8-0.75	8.0
		mm	216	424	165	127	92	22.3	8-19	200
3	80	in	11.15	21.00	8.25	6.62	5.00	1.12	8-0.88	10
		mm	283	535	210	168	127	28.5	8-22	250
4	100	in	12.00	24.20	10.0	7.88	6.19	1.25	8-0.88	10
		mm	305	615	254	200	157	31.8	8-22	250
6	150	in	15.87	31.30	12.50	10.62	8.5	1.44	8-0.88	14
		mm	403	795	318	270	216	36.6	12-22	350
8	200	in	16.50	39.90	15.0	13.0	10.62	1.62	12-1.0	15.4
		mm	419	1012	381	330	270	41.3	12-25	400
10	250	in	18.00	48.540	17.50	15.25	12.75	1.88	16-1.12	17.7
		mm	457	1231	444	387.5	324	47.7	16-29	450
12	300	in	19.75	57.0	20.50	17.75	15.00	2.00	16-1.25	19.7
		mm	502	1450	521	451	381	50.8	16-32	500
14	350	in	30.00	64.8	23.00	20.25	16.25	2.12	20-1.25	23.6
		mm	762	1645	584	514.5	413	54.0	20-32	600
16	400	in	33.00	72.50	25.50	20.25	18.50	2.28	20-1.38	23.6
		mm	838	1814	648	571.5	470	57.2	20-35	600
18	450	in	36.00	76.50	28.00	24.75	21.00	2.38	24-1.38	26.8
		mm	914	1943	711	628.5	533	60.4	24-35	680
20	500	in	39.00	84.80	30.50	27.0	23.0	2.80	24-1.38	38
		mm	991	2154	775	686	584	63.5	24-35	760
24	600	in	45.00	100.50	36.0	32.0	27.25	2.75	24-1.62	36
		mm	1143	2553	914	813	692	69.9	24-41	915
600Lb										
2	50	in	11.50	18	6.5	5.00	3.62	1.0	8-0.75	10
		mm	292	458	165	127	92	25.4	8-19	250
3	80	in	14.00	22.50	8.25	6.62	5.00	1.25	8-0.88	10
		mm	356	570	210	168	127	31.8	8-22	250
4	100	in	17.00	27.2	10.75	8.50	6.19	1.5	8-1.0	14
		mm	432	390	273	216	157	38.1	8-25	350
6	150	in	22	35.8	14	11.50	8.50	1.88	12-1.12	18
		mm	559	910	356	292	216	47.7	12-29	450
8	200	in	26.00	41.9	16.5	13.75	10.62	2.19	12-1.25	19.7
		mm	600	1064	419	349	270	55.6	12-32	500
10	250	in	31.00	49.5	20	17.00	12.75	2.5	16-1.38	23.6
		mm	787	1257	508	432	324	63.5	16-35	600
12	300	in	33	57.8	22	19.25	15.00	2.62	20-1.38	26.8
		mm	838	1468	559	489	381	66.7	20-35	680
14	350	in	35	63.9	23.75	20.75	16.28	2.75	20-1.50	26.9
		mm	889	1623	603	527	413	69.9	20-38	760
16	400	in	39	71.5	27	23.75	18.50	3.0	20-1.62	26.9
		mm	991	1816	686	603	470	76.2	20-41	760
18	450	in	43	82.7	29.25	25.75	21.00	3.25	20-10.75	36
		mm	1092	2100	743	654	533	82.6	20-45	91.5
20	500	in	47	88.6	32	28.5	23.00	3.5	24-1.75	37.4
		mm	1194	2250	813	724	584	88.9	24-45	950
24	600	in	55	107.5	37	33.0	27.25	4.0	24-2.0	39.4
		mm	1397	2730	940	838	692	102	24-51	1000